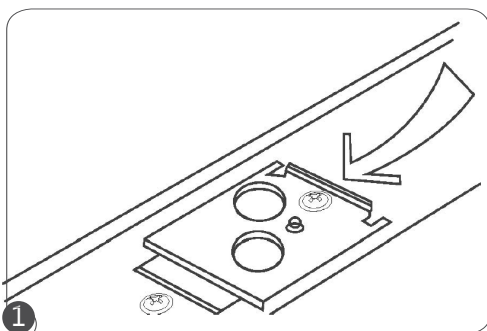


**WARNING:** RISK OF FIRE AND ELECTRICAL SHOCK. FIXTURE MUST BE INSTALLED BY A QUALIFIED ELECTRICIAN ONLY IN ACCORDANCE WITH NATIONAL, LOCAL BUILDING AND ELECTRICAL CODES. DISCONNECT POWER AT ELECTRICAL PANEL BEFORE SERVICING.

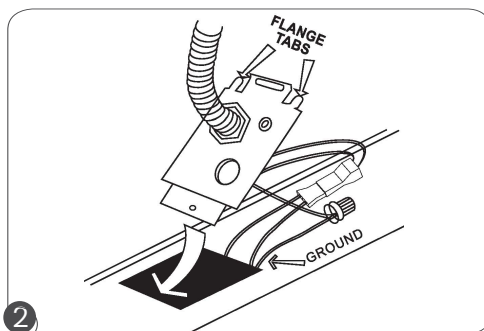
## 14079 INSTALLATION INSTRUCTIONS FOR: LOW-PROFILE LED TROFFER LIGHT AND LOW-PROFILE WET-LOCATION LED TROFFER LIGHT

**Please read all instructions prior to installation and keep for future reference!**

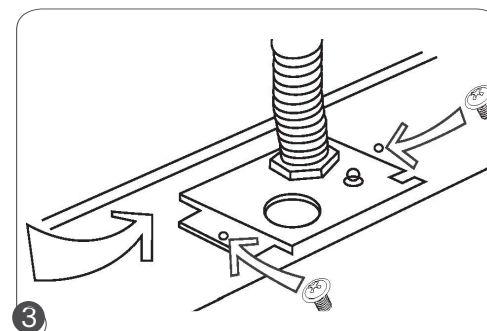
1. Check if the local voltage range corresponds with the working voltage of the fixture. Use min. 75°C supply.
2. Use only UL (or other NRTL) approved wire for input/output connections.
3. Make sure LEDs and drivers are cool to touch when performing maintenance.
4. Do not install in a hazardous atmosphere, except where the ambient temperature does not exceed the rated operating temperature of the fixture.
5. Keep tightly closed when in operation
6. The grounding and bonding of the overall system shall be done in accordance with NEC Article 600 and local codes.



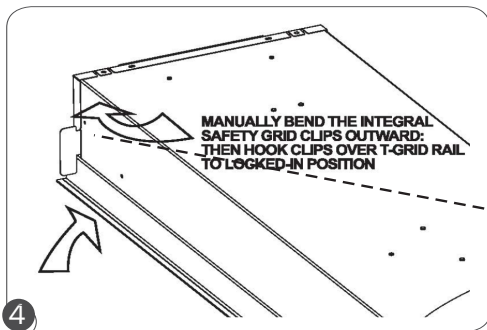
Look for the access plate on the back to access the wires.



Punch a knockout and make proper wiring connections including a ground wire.



Close the access plate and make sure to fix the screws back proper access plate closure.



Bend the safety grid clips 90° with hand, then secure the clips over T-grid rail to lock-in position. Check to make sure the fixture is firmly fixed on the T-bar grid.

WARNING:



RISK OF FIRE AND ELECTRICAL SHOCK. FIXTURE MUST BE INSTALLED BY A QUALIFIED ELECTRICIAN ONLY IN ACCORDANCE WITH NATIONAL, LOCAL BUILDING AND ELECTRICAL CODES. DISCONNECT POWER AT ELECTRICAL PANEL BEFORE SERVICING.

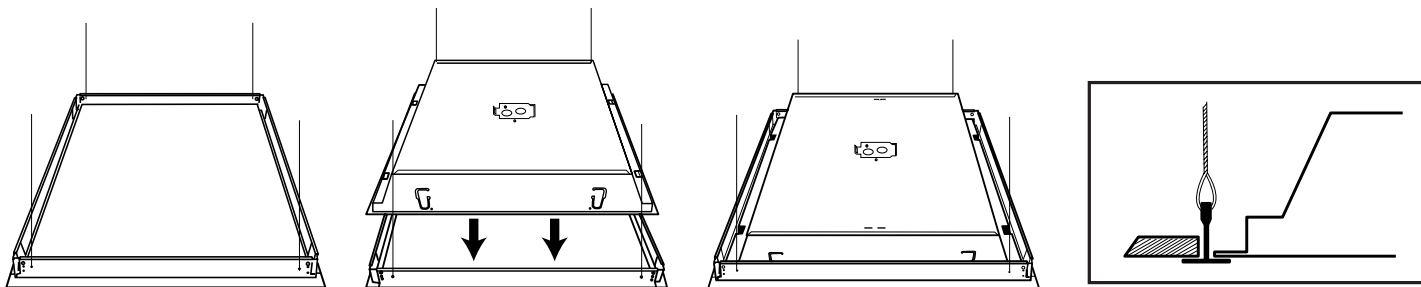
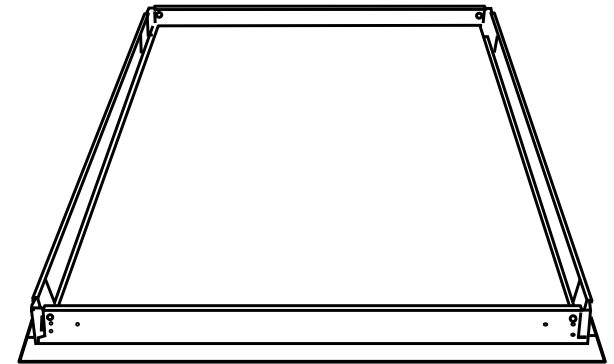
## 14079 INSTALLATION INSTRUCTIONS FOR: LOW-PROFILE LED TROFFER LIGHT AND LOW-PROFILE WET-LOCATION LED TROFFER LIGHT

### Flange Kit

- Flange kit used in the field to convert a standard grid troffer to a flanged troffer.
- Side and end rails are extruded aluminum finished in white powder coating. Corner clips are zinc plated steel.
- For any Utopia Lighting recessed troffer or parabolic suitable for installation in 15/16" inverted T-bar grid, in a drywall or plaster ceiling.
- Easily install without the use of tools. Smooth edges for easy handling.

### Installation

- Cut ceiling opening to proper dimensions. Ceiling opening required is nominal width and length plus 3/8".
- Slip fit (snap-lock) corner clips into side and end rails.
- Place assembled Flange Kit in ceiling opening and wire support each corner to ceiling structure. (at four corners as shown)
- Pull up tight against ceiling.
- Place grid trim troffer in flange kit.



Flange Kit in ceiling opening and wire support each corner to ceiling structure. (at four corners as shown)

**WARNING:** RISK OF FIRE AND ELECTRICAL SHOCK. FIXTURE MUST BE INSTALLED BY A QUALIFIED ELECTRICIAN ONLY IN ACCORDANCE WITH NATIONAL, LOCAL BUILDING AND ELECTRICAL CODES. DISCONNECT POWER AT ELECTRICAL PANEL BEFORE SERVICING.

## 14079 INSTALLATION INSTRUCTIONS FOR: LOW-PROFILE LED TROFFER LIGHT AND LOW-PROFILE WET-LOCATION LED TROFFER LIGHT

### CEILING OPENING

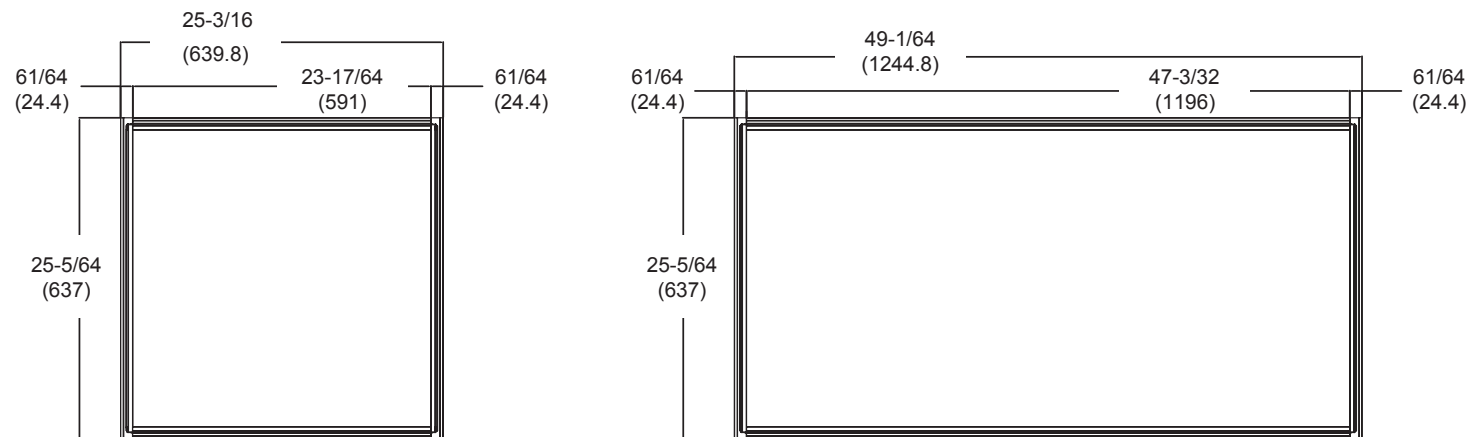
Series	Size	Width	Length
F	1' x 4'	12-3/16" (309mm)	48-1/4" (1225mm)
	2' x 2'	24-3/16" (614mm)	24-5/16" (617mm)
	2' x 4'	24-3/16" (614mm)	48-1/4" (1225mm)

### OVERALL FLANGE KIT


Series	Size	Width	Length
F	1' x 4'	13-5/64" (332mm)	49-1/64" (1244.8mm)
	2' x 2'	25-5/64" (637mm)	25-3/16" (639.8mm)
	2' x 4'	25-5/64" (637mm)	49-1/64" (1244.8mm)

\* All dimensions are in inches (millimeters).

\* This size chart is an exact value without calculating margins. It is recommended to open it with a margin of about 1/4".

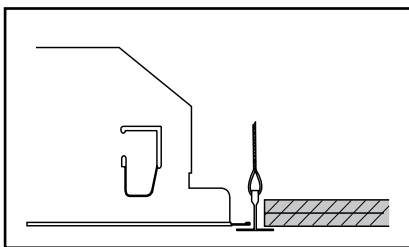


**WARNING:** RISK OF FIRE AND ELECTRICAL SHOCK. FIXTURE MUST BE INSTALLED BY A QUALIFIED ELECTRICIAN ONLY IN ACCORDANCE WITH NATIONAL, LOCAL BUILDING AND ELECTRICAL CODES. DISCONNECT POWER AT ELECTRICAL PANEL BEFORE SERVICING.



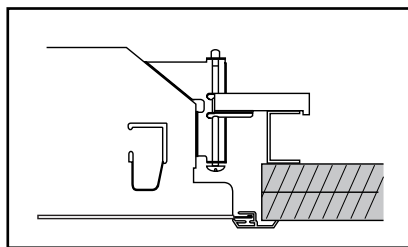
## 14079 INSTALLATION INSTRUCTIONS FOR: LOW-PROFILE LED TROFFER LIGHT AND LOW-PROFILE WET-LOCATION LED TROFFER LIGHT

### Mounting Options



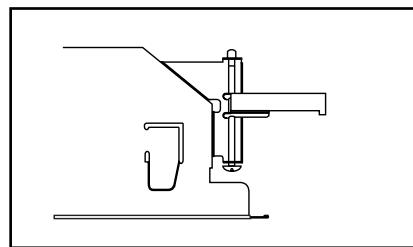
#### LAY-IN GRID:

- Grid "T" ceiling type in which the supports are suspended directly from the building structure in a grid. Lighting fixtures lay into a grid "T" suspended ceiling.
- For lay-in installation in exposed grid ceilings.



#### OVERLAPPING FLANGE:

- For Hard ceiling, tile, plaster or plater board ceilings.
- Overlapping flanged extruded aluminum trim with swing-gate hanger suspension included.



#### SWING-GATE HANGER:

- Fixture is supported from concealed suspension, includes adjustable wing hangers.
- Swing-gate hanger suspension system.

### OVERLAPPING FLANGE:

#### CEILING OPENING

Series	Size	Width	Length
FSGH	1' x 4'	11-15/16" (303mm)	48-1/2" (1232mm)
	2' x 2'	24-1/8" (613mm)	24-3/4" (628mm)
	2' x 4'	24-1/8" (613mm)	48-1/2" (1232mm)


#### OVERALL FLANGED FIXTURE

Series	Size	Width	Length
FSGH	1' x 4'	13-9/16" (344mm)	49-1/2" (1257mm)
	2' x 2'	25-11/16" (652mm)	25-3/4" (654mm)
	2' x 4'	25-3/4" (654mm)	49-29/64" (1256mm)

\* All dimensions are in inches (millimeters).

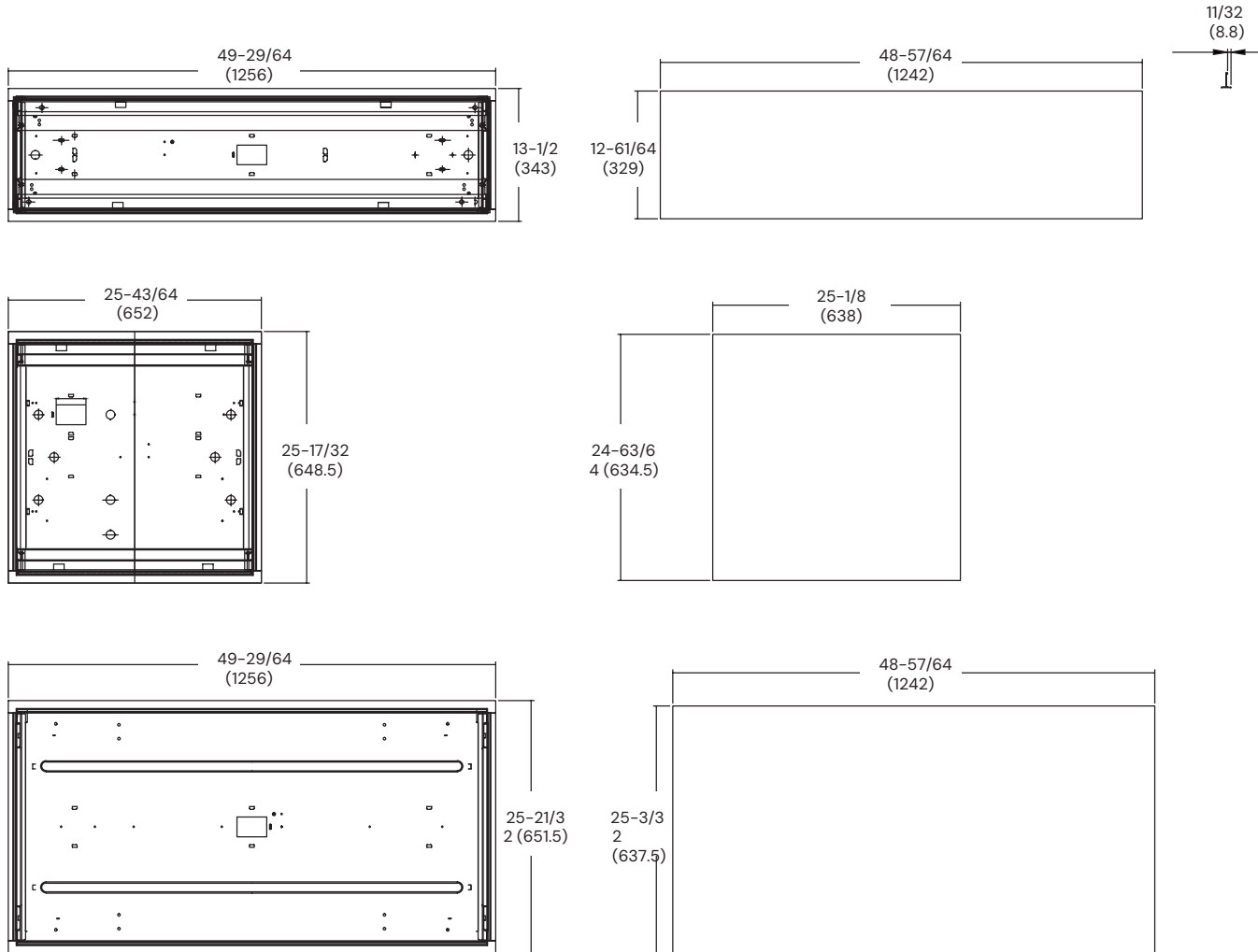
\* This size chart is an exact value without calculating margins. It is recommended to open it with a margin of about 1/4".

**WARNING:** RISK OF FIRE AND ELECTRICAL SHOCK. FIXTURE MUST BE INSTALLED BY A QUALIFIED ELECTRICIAN ONLY IN ACCORDANCE WITH NATIONAL, LOCAL BUILDING AND ELECTRICAL CODES. DISCONNECT POWER AT ELECTRICAL PANEL BEFORE SERVICING.



## 14079 INSTALLATION INSTRUCTIONS FOR: LOW-PROFILE LED TROFFER LIGHT AND LOW-PROFILE WET-LOCATION LED TROFFER LIGHT

FSGH



## **14079 INSTALLATION INSTRUCTIONS FOR: LOW-PROFILE LED TROFFER LIGHT AND LOW-PROFILE WET-LOCATION LED TROFFER LIGHT**

---

### TOOL(S) NEEDED:

Cordless drill and an elbow or L-shape adapter with Philips Insert Bit extension.

